

# Trouble-free dosing

## Dosing head ventilation V



### Trouble-free dosing

The dosing head ventilation V stands for trouble-free dosing of outgassing media. An automatic vent valve separates incoming gases, thereby enabling the independent re-aspiration of the pump given back pressure.

The dosing head ventilation can simply be replaced by the conventional dosing head from Lutz-Jesco MAGDOS dosing pumps sizes 05 – 15.

### Simple installation

The dosing head ventilation is fitted with three connection valves. A part of the stroke volume and gas bubbles are returned to the tank during the pressure stroke via the upper vent valve (marked with an arrow). This permits re-aspiration of the pump, even given back pressure. The dosing head ventilation is fitted with an installation clip for the return hose to prevent it from kinking.

In contrast to conventional pressure valves, the spring-loaded pressure valve is located in the centre. An optionally-available angle connection prevents kinking of the pressure hose.

### Functions

- Can be fitted to all MAGDOS dosing pumps sizes 05 – 15
- Capacity range of the dosing pump with dosing head ventilation V 0.39 – 13 l/h, up to 16 bar
- Easy to assemble
- High chemical resistance
- Transparent PMMA dosing head
- PVC valves and connections

### Scope of delivery

- Dosing head
- Valves
- 1 kit of dosing head screw
- Hose clamp connection with return hose (2 m)

Note: The dosing pump is not included in the scope of delivery.

## Technical data

Dosing head ventilation V for MAGDOS sizes			05	1	2	4	6	10	15
Delivery capacity at max. backpressure	I/h		0.30	0.63	1.60	3.10	5.10	7.30	11.00
	ml/stroke		0.04		0.17	0.29	0.47	0.68	0.73
Maximum delivery pressure	Normal mode	bar	16				8	6	3
	Eco-Mode 1*	bar	10				6	4	2
	Eco-Mode 2*	bar	6				4	2	1
Delivery capacity at average backpressure	I/h		0.39	0.81	1.90	3.50	5.90	8.00	13.00
	ml/stroke		0.05		0.20	0.33	0.54	0.74	0.86
Average delivery pressure	bar		8				4	3	1
Max. viscosity	mPa·s		20						
Materials	Housing, valves		PMMA, PVC						
	Seals		FPM or EPDM						
Further components coming into contact with the media			PVDF, ceramic, Hastelloy						
Approved ambient temperature	°C		5 – 40						
Approved media temperature	°C		35						

\* In the case of operation in Eco-Mode energy saving mode, the delivery capacity is 5-10 % less than in normal mode (with the same backpressure).

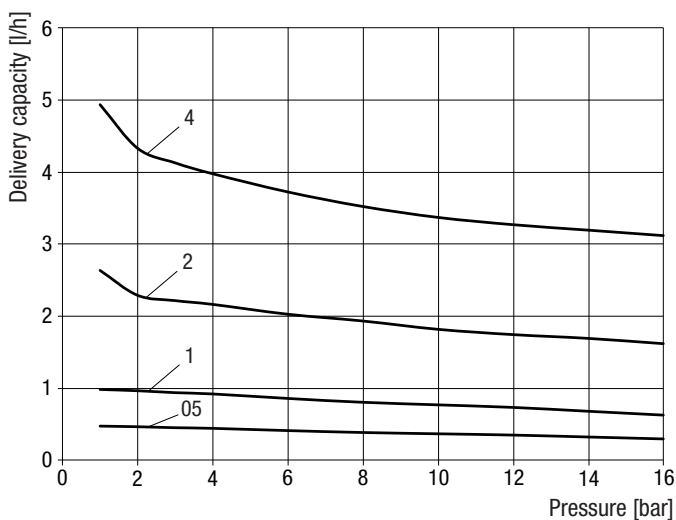
## Delivery characteristic curves

When using the dosing head ventilation V, the delivery capacity is reduced in comparison to the use of a normal dosing head. Part of the pressure stroke is conveyed into the return hose to remove gas bubbles from the dosing head.

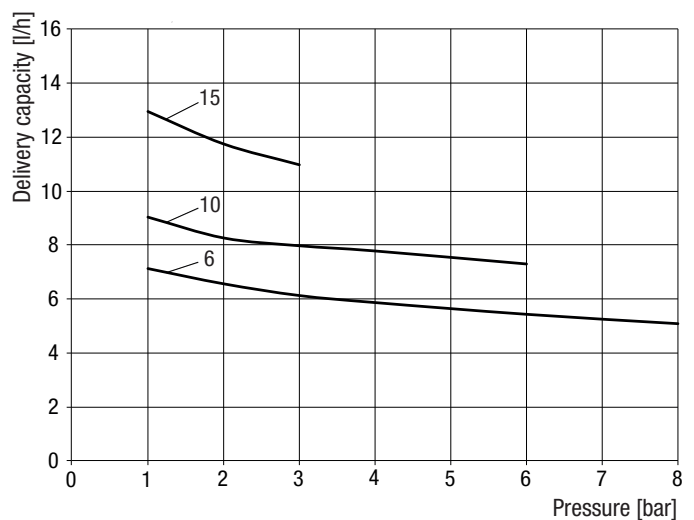
As such, the regular delivery capacity data of your dosing pump as specified in the sales documents no longer apply.

Comply with the following delivery capacity curves. The curves show which delivery capacity the dosing pump can provide given a specific back pressure. The values have been discerned on the test bench and apply at 20 °C (68 °F) for water and a stroke frequency of 100%. The character of the dosing medium (density, viscosity, temperature) changes the delivery capacity. The actual delivery capacity should be measured under operation conditions and adapted.

Dosing head ventilation V 05 – 4



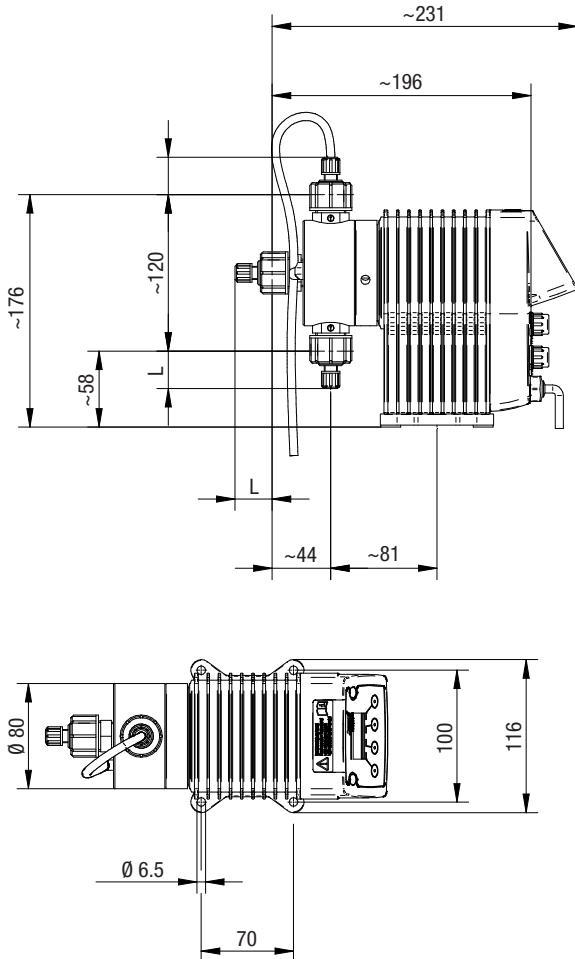
Dosing head ventilation V 6 – 15



## Dimensions

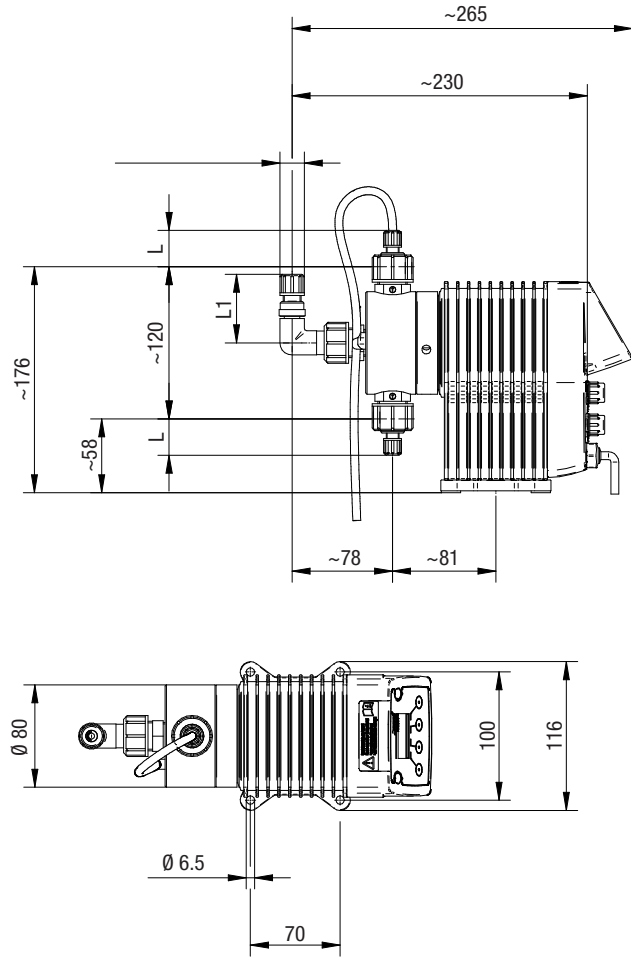
### Dosing head ventilation V with MAGDOS

All dimensions in mm



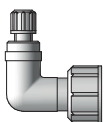
### Dosing head ventilation V with MAGDOS and optionally-available angle connection

All dimensions in mm



Connection	Material	Scale	Nominal width	L	L1
Hose clamp connection	PVC	4/6 mm	DN4	31	47
		1/4" x 3/8"	1/4"	34	54
		6/9 mm	DN6	34	54
		6/12 mm	DN6	15	62

## Dosing head ventilation standard - accessories



### Angle connection

To prevent the kinking of the pressure hose.

Available connections with union nut G5/8: 4/6, 6/9, 1/4"x3/8" and 6/12.



### Hose clamp connection set

Hose clamp connection set complete for the suction and discharge side.

Nominal width DN4 for hose 4/6 mm and Nominal width DN6 for hose 6/9 mm, 6/12 mm.

### Product Range

**Lutz Pumpen GmbH**  
P.O. Box 1462 • D-97864 Wertheim  
[www.lutz-pumpen.com](http://www.lutz-pumpen.com)



Barrel and Container Pumps



Flow Meters



Double Diaphragm Pumps



Centrifugal Pumps

### Product Range

**Lutz-Jesco GmbH**  
P.O. Box 100164 • D-30891 Wedemark  
[www.lutz-jesco.com](http://www.lutz-jesco.com)



Dosing Pumps



Chlorinators



Chemical Centrifugal Pumps



**TECHNOPOL®**  
Products for the disinfection of swimming pool water based on salt water electrolysis and domestic water technology



Measuring and Control Equipment



Disinfection



System and Process Technology



The Lutz-Jesco App for iPads and iPhones is available from the iTunes App Store. Additional information can be found at [www.lutz-jesco.com](http://www.lutz-jesco.com)



Headquarters  
**Lutz-Jesco GmbH**  
Am Bostelberge 19  
30900 Wedemark  
Germany

Tel.: +49 5130 5802-0  
Fax: +49 5130 580268

E-mail: [info@lutz-jesco.com](mailto:info@lutz-jesco.com)  
Website: [www.lutz-jesco.com](http://www.lutz-jesco.com)

Hungary  
**Lutz-Jesco Üzetág**  
Vasvári P. u. 9.  
9024 Győr  
Hungary

Tel.: +36 96 419813  
Fax: +36 96 419814

E-mail: [info@lutz-jesco.hu](mailto:info@lutz-jesco.hu)  
Website: [www.lutz-jesco.hu](http://www.lutz-jesco.hu)

Austria  
**Lutz-Jesco GmbH**  
Aredstraße 7/2  
2544 Leobersdorf  
Austria

Tel.: +43 2256 62180  
Fax: +43 2256 6218062

E-mail: [info@lutz-jesco.at](mailto:info@lutz-jesco.at)  
Website: [www.lutz-jesco.at](http://www.lutz-jesco.at)

Netherlands  
**Lutz-Jesco Nederland B.V.**  
Nijverheidstraat 14 C  
2984 AH Ridderkerk  
Netherlands

Tel.: +31 180 499460  
Fax: +31 180 497516

E-mail: [info@lutz-jesco.nl](mailto:info@lutz-jesco.nl)  
Website: [www.lutz-jesco.nl](http://www.lutz-jesco.nl)



Great Britain  
**Lutz-Jesco (GB) Ltd.**  
Gateway Estate  
West Midlands Freeport  
Birmingham B26 3QD  
Great Britain

Tel.: +44 121 782 2662  
Fax: +44 121 782 2680

E-mail: [info@lutz-jesco.co.uk](mailto:info@lutz-jesco.co.uk)  
Website: [www.lutz-jesco.co.uk](http://www.lutz-jesco.co.uk)

USA  
**Lutz-JESCO America Corp.**  
55 Bermar Park  
Rochester, N.Y. 14624  
USA

Tel.: +1 585 426-0990  
Fax: +1 585 426-4025

E-mail: [mail@jescoamerica.com](mailto:mail@jescoamerica.com)  
Website: [www.lutzjescoamerica.com](http://www.lutzjescoamerica.com)

East Asia  
**Lutz-Jesco East Asia Sdn Bhd**  
6 Jalan Saudagar U1/16  
Hicom Glenmarie Industrial Park  
40150 Shah Alam/ Selangor  
Malaysia

Tel.: +603 55692322  
Fax: +603 55691322

E-mail: [info@lutz-jescoasia.com](mailto:info@lutz-jescoasia.com)  
Website: [www.lutz-jescoasia.com](http://www.lutz-jescoasia.com)

Middle East  
**Lutz-Jesco Middle East FZE**  
P.O. Box 9614  
SAIF-Free Zone Center  
Sharjah  
UAE

Tel.: +971 6 5572205  
Fax: +971 6 5572230

E-mail: [info@jescome.com](mailto:info@jescome.com)  
Website: [www.jescome.com](http://www.jescome.com)

